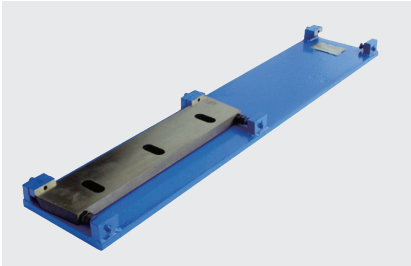


# GSC 700

## Compact sound-proofed granulators



- Knives adjustable outside the machine
- Compact design
- Different rotor versions available
- Soundproof housing
- Aggressive tangential infeed

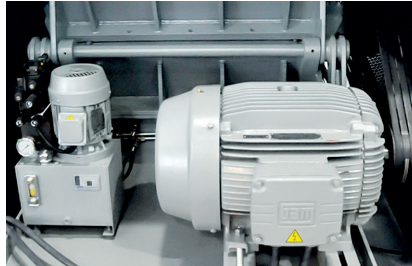


### Knife Adjustment

Rotor and stator knives are pre-set outside the machine before installation in a supplied fixture. This eliminates the need for knife adjustment inside the machine.

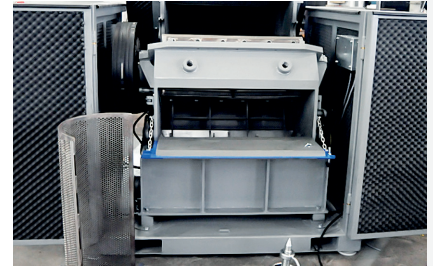
### Applications

The GSC 700 series is designed for central granulation and high volume in-house recycling applications. It is suitable for processing large moulded parts, hollow parts, runners, sprues, profiles, sheets and film. The machine can be integrated into existing production environments and adapted to different material and throughput requirements.



### Hydraulic Opening

To keep the GSC series as compact as possible, the motor and hydraulic system are integrated into the machine's soundproof enclosure.

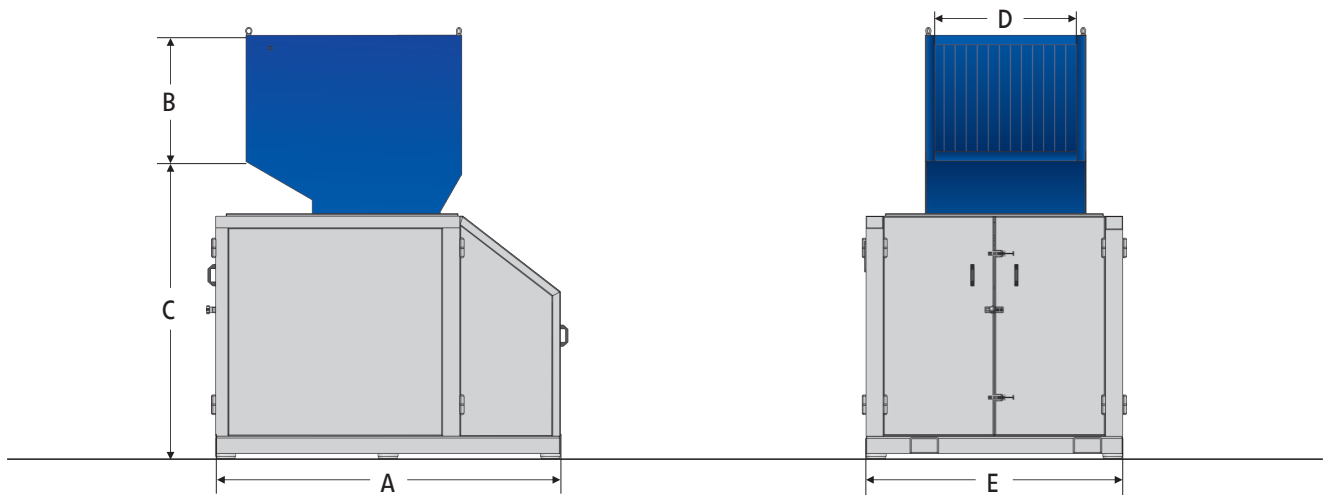


### Service Access

The user-friendly design of the GSC series allows quick and easy access to the cutting chamber for maintenance and cleaning.

### General Description

The GSC 700 series is available with rotor widths from 700 to 1400 mm and a rotor diameter of 700 mm. Its completely welded cutting chamber provides dependable operation and long service life. The machine is designed for versatile use in central granulation and can be configured to suit different materials and throughput requirements.



### Technical Specifications

Type	700/700	700/1000	700/1400
Rotor diameter (mm)	700	700	700
Rotor width (mm)	700	1000	1400
Drive capacity (kW)	45	55	55
Rotor knives (rows)	5 or 7	5 or 7	5 or 7
Stator blades (rows)	2 or 3	2 or 3	2 or 3
Screen size (mm)	> 6	> 6	> 6
Effective working area (mm)	720 x 700	720 x 990	720 x 1400
Weight approx. (kg)	4200	5100	6200

### Dimensions

Type	700/700	700/1000	700/1400
A (mm)	2260	2260	2260
B (mm)	780	780	780
C (mm)	2240	2240	2240
D (mm)	715	915	1430
E (mm)	1830	2100	2600

### ZERMA MACHINERY & RECYCLING TECHNOLOGY CO. LTD.

5 Xinjie Rd Xinqiao · Township Ind. Park  
 Songjiang · Shanghai · China  
 Phone: +86 21 57645573 · info@zerma.com

